

EASY-LASER[®]

www.easylaser.com

XT980



Sawmill Alignment

XT980

ARE THE ANGLES CORRECT?

EASY TO USE

A sawmill is a very demanding environment, where the machines are hard worn. Regular checks and adjustment of the machine's angles and straightness increases the quality of the sawn timber, and allows the yield and production speed to be maintained at the highest level, hour after hour. With a laser measurement system, work can be performed quickly and with the greatest precision. Some production managers in the sawmill industry claims that typically 1% increased efficiency lowers the cost for timber purchase with up to €100,000!*

With a laser measurement system the alignment work can be made fast and with high precision. A normal requirement on the final product dimensions is ± 0.3 mm. Then you also need measurement tools with high precision and repeatability. Another advantage with laser is that the laser beam is not in the way for you when moving around in the machine, like a steel wire would be.

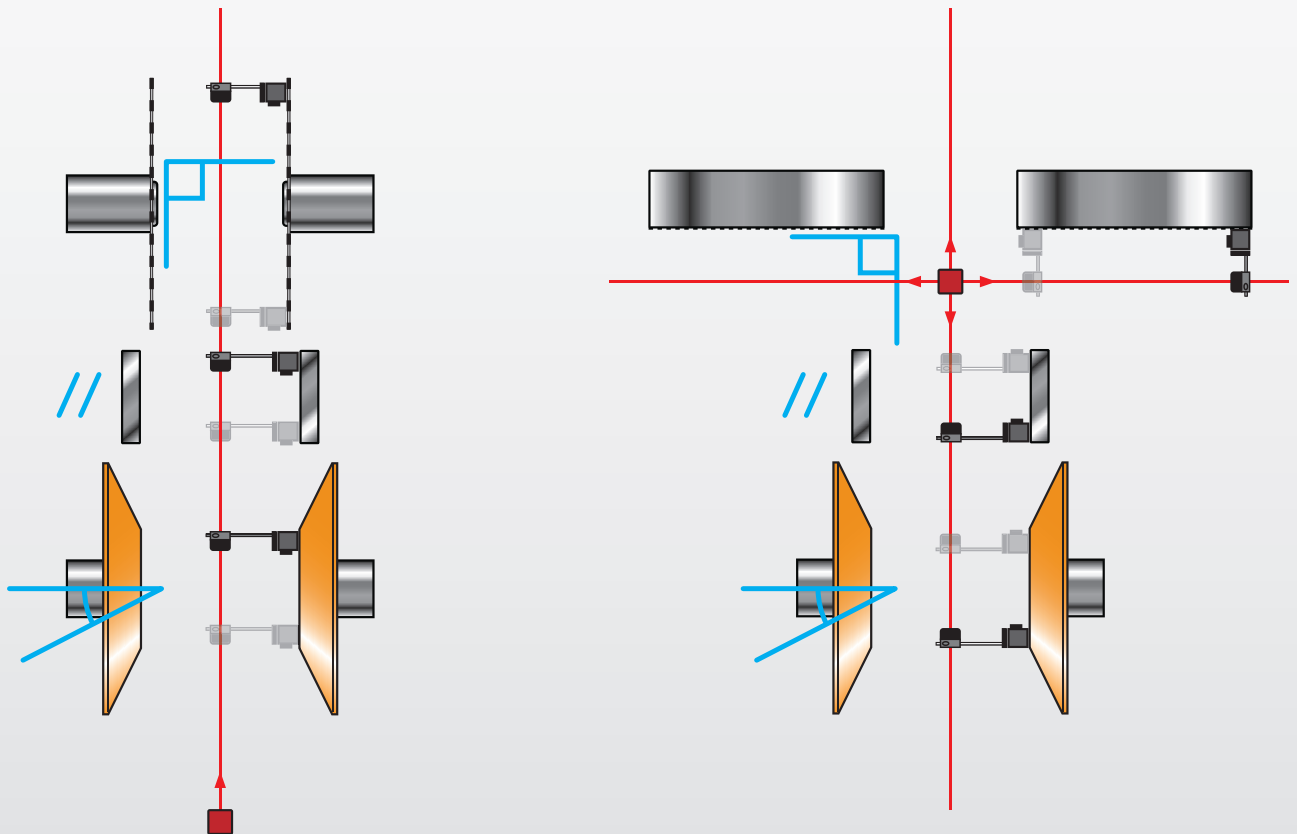
Easy-Laser E980 can be used for both circular saws and band saws, as well as other components in the saw line like reducers, guide planes etc. The system is offered with two types of laser transmitters. Moreover there are accessories for other type of machinery. We will gladly tell you more what suits your requirements best!

Benefits of correct alignment:

- Increased production speed
- Higher product quality
- Higher yield
- Less unplanned downtime
- Longer service life for bands and blades
- Longer service life for bearings and wear parts

Advantages with Easy-Laser:

- Faster than traditional methods
- Easy to set up on the machine
- No wire in the way in the working area
- Easy to learn and use
- Very high precision
- Possibility to document with PDF



Circular saws

The saw blade (or blades) should be aligned parallel to the saw line. The most common way is to point the laser beam along the center of the entire machine, at specific alignment marks at the ends. Blades, reducers and guide planes are then checked against this reference line, so that the correct angle or parallelism is achieved on each machine unit. This way you can also during shorter stoppages check the machine when quality defects are detected in the sawn material.

Band saws

Band saw wheels should be parallel to each other, and perpendicular to the saw line. We usually use a laser transmitter mounted next to the band saw wheels, which can be indexed (rotated) exactly 90° to the saw line, to check the angle of the band saw wheels. The guide plane and reducers are also adjusted to the desired angle to the log direction.

*Depending on volume and type of final product this can of course be more or less.



DOCUMENTATION

SAVE!



INTERNAL MEMORY

Save your measurement files, photos and reports to the internal memory.



VERSATILE FILE TYPES

Both a PDF and an Excel file are generated.



READ QR AND BAR CODES

Assign a specific code to a specific machine, then use the built-in camera of your device to open assigned file and settings.

(Note: camera resolution requirements applicable.)

SHOW!



PDF REPORT TEMPLATES

Use one of the two formats included.



ADD NOTES

Explain it a little more.



SIGN REPORTS ELECTRONICALLY

Sign-on screen to verify your job.

Signature is saved with the PDF file.



ADD PHOTO

Show what you mean.

SHARE!



SEND THE REPORTS

Share the reports via email. Possible on all platforms.



SAVE TO USB

Save your files to USB stick and copy to other devices.

SYSTEM PARTS



System Easy-Laser® XT980, Part.No. 12-1296 contains:

- 1 Display unit XT11
- 1 Laser transmitter XT22
- 1 Measuring unit XT70-M
- 1 Multi bracket for XT laser
- 2 Electronic targets
- 1 Documentation folder GEO
- 1 DC split cable for charging
- 1 Magnet base with turnable head
- 1 Magnet base
- 1 Shaft bracket with chain
- 2 Offset brackets
- 2 Brackets for electronic target
- 1 Rotating detector bracket for rods
- 1 Magnet bracket Short, with turnable head
- 1 Magnet bracket Long, with turnable head
- 1 Index table 90°
- 1 Bracket (Set square) for index table
- 1 Set with rods (4x75 mm)
- 1 Set with rods (8x120 mm)
- 2 Large targets
- 1 Tape measure 5 m
- 1 Hexagon wrench
- 1 Charger (100–240 V AC)
- 1 USB cable
- 1 Shoulder strap for display unit
- 1 DC to USB adapter
- 1 Toolbox XT GEO
- 2 Screw clamps
- 1 Transportation case, with wheels

Weight: 29.5 kg [65.0 lbs]

Dimensions WxHxD: 622x492x310 mm [24.5x19.4x12.2"]

Selected accessories:

- 12-1010 Sliding bracket (for vertical rollers)
- 12-0696 Small magnet base with turnable head
- 12-1262 Detector bracket for centering on wire position
- 12-0503 Bracket (Set square) for transmitter (not extendable)
- 12-1123 Extension for set square 12-1087, 295 mm
- 12-1124 Extension for set square 12-1087, 430 mm
- 12-1053 XT190 Belt alignment
- 12-1090 XT280 Vibrometer
- 12-1244 XT290 Digital precision level
- 12-0966 XT440 Shaft alignment

12-1010



12-0696



12-1262



12-0503



12-1123 / 12-1124



12-1244

